

SYS C/B 2010 Hyundai Genesis 3.8L V-6 Coupe

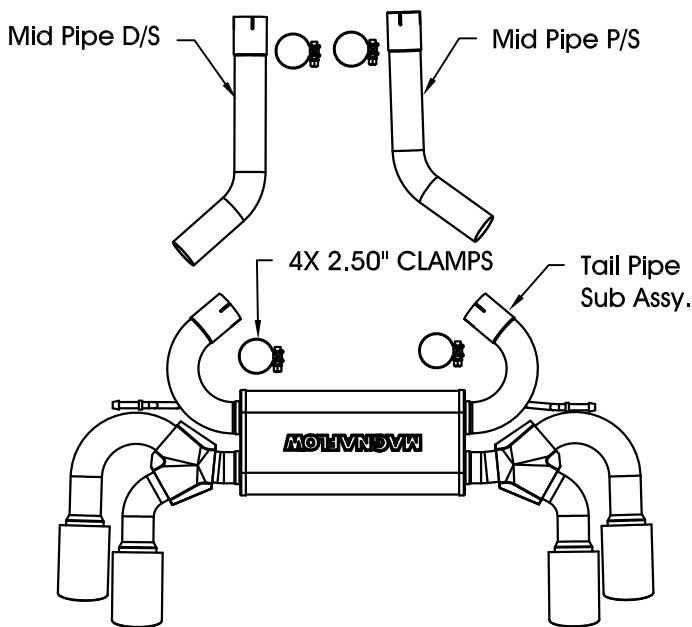
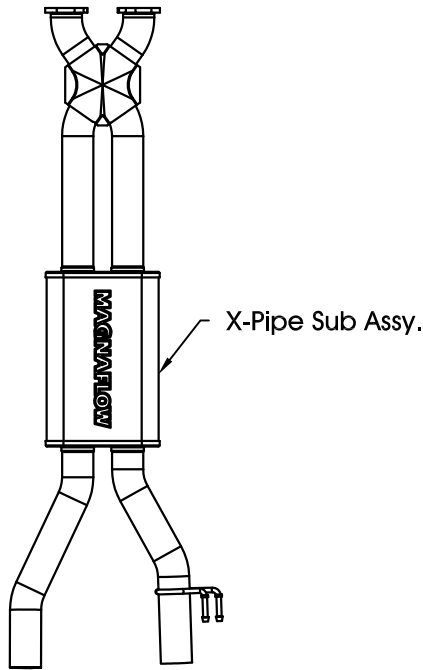
Warning: When working on, under, or around any vehicle exercise caution. Please allow the vehicle's exhaust system to cool before removal, as exhaust system temperatures may cause severe burns. If working without a lift, always consult vehicle manual for correct lifting specifications. Always wear safety glasses and ensure a safe work area. Serious injury or death could occur if safety measures are not followed.

Step 1:(Carefully read all instructions before installation) To remove your OEM system begin by unbolting the inlet flanges from the catalytic converters. Next, unbolt the Tail-Pipe assembly from the mid-pipe assemblies at the flanges. Working inlet to outlet remove the OEM system by detaching the hangers from the rubber isolators. Be sure to retain all mounting hardware as it will be need to install your new MAGNAFLOW system.

Step 2: Install the new system by bolting the inlet flanges of the X-Pipe assembly to the catalytic converter flanges. Slip both inlets of the mid pipes over the X-Pipe assembly outlets, secure with the supplied clamps. Slip the inlets pipes of the Tail-Pipe Sub assembly over the outlet ends of the mid pipes and secure with the supplied clamps. Locate all hangers to the corresponding rubber isolators.

Step 3: With all components mounted loosely, adjust the system for overall aesthetics and clearance of frame & bodywork. (MAGNAFLOW recommends at least 1/2" of clearance between the exhaust system and any body panels to prevent heat-related body damage or fire.)

Step 4: Once a final position has been chosen for the new system, evenly tighten all fasteners from front to rear. The supplied band clamps must be VERY tight to properly align the pipes and prevent leaks (Approximately 65ft-lbs). U-bolt clamps should be tightened to approximately 30-35ft-lbs. Inspect all fasteners after 25-50 miles of operation and retighten if necessary.



*MAGNAFLOW Performance Exhaust recommends professional installation on all their products

Technical support: 1-800-959-9226 ext. 4500

MAGNAFLOW Performance Exhaust - 22961 Arroyo Vista - Rancho Santa Margarita, CA 92688