



INSTALLATION INSTRUCTIONS

PLEASE study these instructions carefully before beginning this installation. Most installations can be accomplished with common tools and procedures. However, you should be familiar with and comfortable working on your vehicle. If you do not feel comfortable performing this installation, it is recommended to have the installation completed by a qualified mechanic. If you have any questions, please call our Technical Hotline at: 1-800-416-8628, 7:00 am - 5:00 pm, Pacific Standard Time, Monday through Friday.

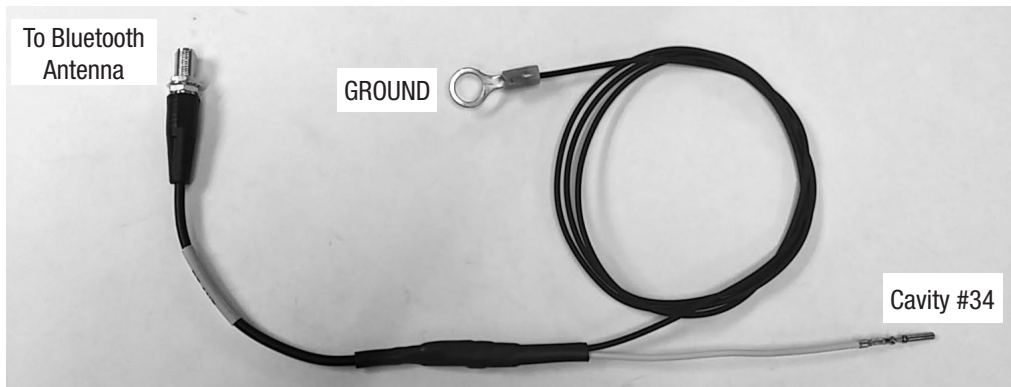
IMPORTANT NOTE: Proper installation is the responsibility of the installer. Improper installation will void the manufacture's warranty and may result in poor performance and engine or vehicle damage.

DESCRIPTION

The E Street V1 Supplementary Bluetooth Antenna kit is provided to improve Bluetooth connectivity in vehicle applications with Tablet connectivity issues.

Kit Includes: Qty 1: Bluetooth Antenna w/ Base; Qty 1: Coaxial Harness Adapter; Qty 1: Grommet

INSTALLATION DIAGRAM



There are three necessary connections to use the provided Supplementary Antenna Harness.

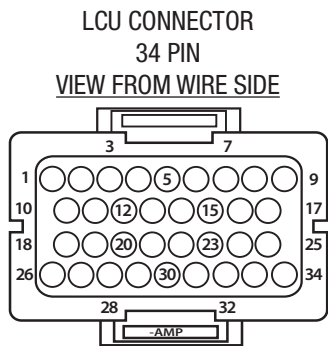
Black wire – Route to chassis ground near the ECU location. Connection surface must be free of paint, rust or any contamination. Adjust wire length as necessary, strip insulation from wire end and attach the provided terminal eyelet connector. Tightly fasten to ground connection.

Yellow wire – Route to ECU Main Harness Connector. Remove Main Harness Connector from ECU and follow pin release instruction. Insert Pin on Yellow wire into ECU Connector cavity #34. A light application of dielectric grease on pin helps assist insertion. Pin must seat all the way into cavity or white release tabs will not lock.

Gold Threaded Antenna Connector - Bluetooth Antenna Connection

Mount the Magnetic Antenna Base inside the vehicle, preferably underneath the dash and towards the center of the vehicle. Screw the antenna to the base and connect the antenna cable to the threaded gold antenna connector on the supplementary harness.

NOTE: It may be required to drill a 5/16 hole in the firewall to route the antenna cable thru. If doing so, use the provided grommet to prevent harness damage.



PUSH LARGE TAB IN SO TWO SMALL TABS MOVE TO UNLOCKED POSITION. PUSH DOWN TWO TABS TO LOCK PINS IN CONNECTOR.

