



PERFORMANCE EXHAUST
IMPORTANT WARRANTY & INSTALLATION
INSTRUCTIONS ATTACHED

*Please Forward All Attached Information to Consumer
Warranty Not Valid Unless Returned to CORSA Performance*

To Activate Your 10 Year LIMITED WARRANTY,
Go to: www.corsaperformance.com/Warranty



**For Full-Color Installation Instructions, Please Visit:
CORSAPERFORMANCE.COM and Search by Part Number**

Please be sure to review the enclosed instructions prior to beginning the installation process. If you have any questions about the enclosed parts, instructions or encounter a problem during installation:
CALL CORSA PERFORMANCE TECHNICAL ASSISTANCE AT 440.891.0999

Please take time to read and understand these installation instructions.

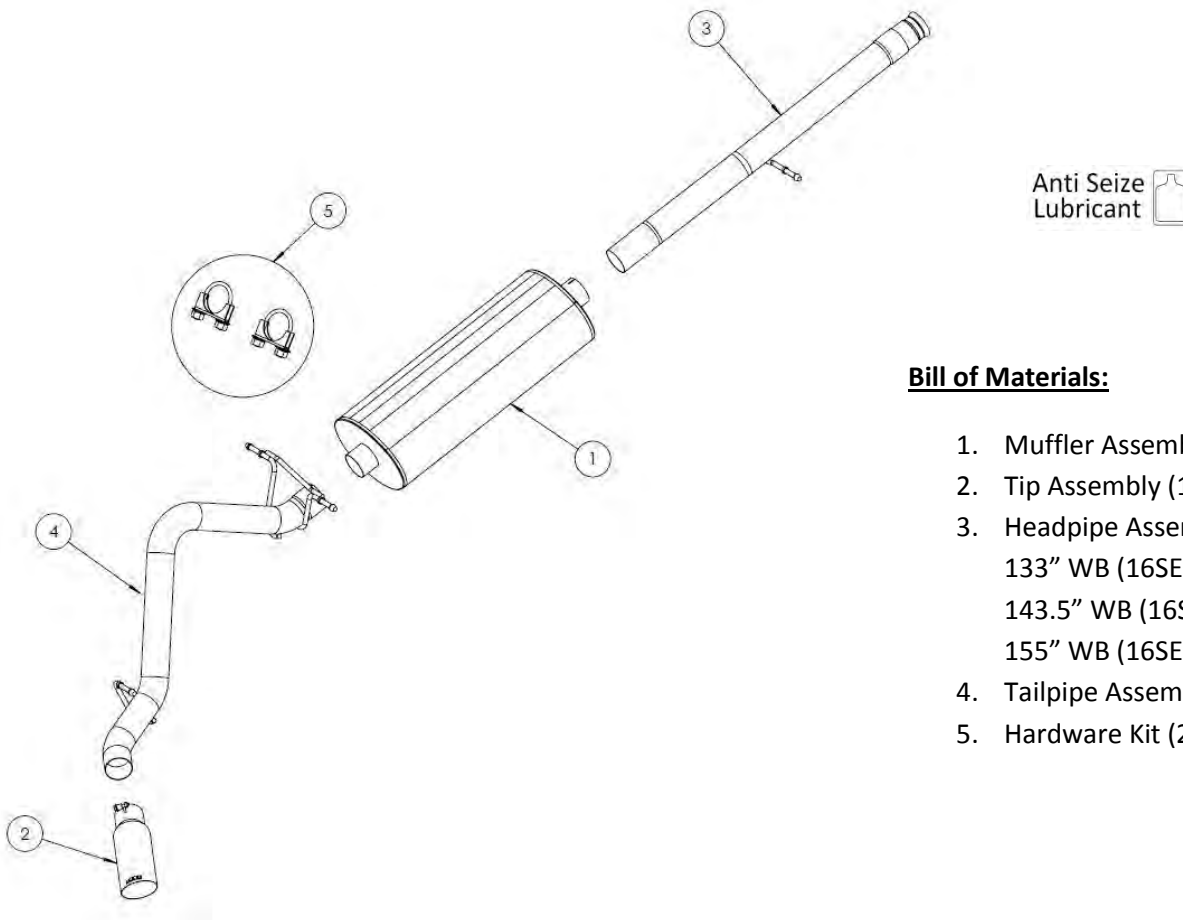
We recommend that the installation of this system be performed by a qualified service center or professional muffler installer who has the necessary equipment, tools and experienced personnel. However, if you decide to perform this install, the use of a hoist and an additional person will be required.

CAUTION: Never work on a hot exhaust system. Allow time for the vehicle to cool. Always wear eye protection when working under a vehicle.

Recommended Tools:

- Tape Measure
- Black Marking Pen
- 15mm Deep Socket & Ratchet
- 13mm Shallow Socket
- Chain Style Pipe Cutter
- Grommet Pullers
- Soap & Water Solution
- Torque Wrench

Please confirm that all parts are present before beginning the factory exhaust system removal and dB exhaust system installation.



Bill of Materials:

1. Muffler Assembly (16SE2028)
2. Tip Assembly (16SE3023)
3. Headpipe Assembly:
133" WB (16SE4461)
143.5" WB (16SE4459)
155" WB (16SE4469)
4. Tailpipe Assembly (16SE4453)
5. Hardware Kit (20FF7030)

Removal of Stock System:

- 1) Scribe a line 12" from the front face of the stock muffler. (See Fig. A)
- 2) Place a chain style cutter around the exhaust pipe and at the scribe line location and cut the exhaust pipe. (See Fig. B)
- 3) Remove the grommets from the tailpipe hangers at the muffler exit, the spare tire and finally ahead of the muffler, using grommet pullers or similar device. (See Fig's C, D & E)
Note: Using a soapy solution on the grommet hole will make the job easier.
- 4) Use a 13mm socket to loosen spherical clamp and remove factory headpipe. (See Fig. F)
- 5) Remove the muffler and rear tailpipe section from the vehicle by lifting the tailpipe over the rear axle and forwards toward the front of the vehicle. (See Fig's G & H)

This completes the removal of the stock system.



FIG. A



FIG. B



FIG. C



FIG. D



FIG. E



FIG. F



FIG. G



FIG. H

For Technical Assistance:

Call 440.891.0999

Installation of dB Exhaust System:

NOTE: The supplied double edge clamps in this system will crush and permanently deform the exhaust piping as they are tightened. **DO NOT** tighten these clamps any more than is necessary to lightly hold the exhaust components in place, until the very end of this installation process. It will be difficult or impossible to make any positional or rotational adjustments to the exhaust system after these clamps have been tightened down.

VERY IMPORTANT: Align all the clamps so that the open edge of the clamp bracket is parallel and aligned with the notch in the pipe, and the outside edge of the clamp bracket is approximately 1/8" from the end of the pipe expansion. (See Fig I) Failure to properly position or orient the clamps could result in a weak clamping load, or even a potential leak at the clamp joints.

IMPORTANT: Make sure that the small drain holes in the muffler are facing down when the muffler is installed.

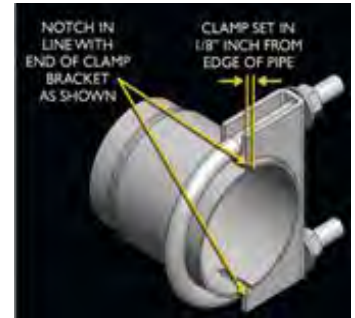


FIG. I



FIG. J

- 1 Locate the headpipe assembly and slide the spherical clamp over the studs on the factory spherical clamp. Use the nuts supplied with the hardware kit and loosely snug. Insert the hanger into the factory grommet. **(See Fig's K & L)**
Note: Using a soapy solution on the grommet hole will make the job easier.
- 2 Slide a supplied 3" clamp over the inlet of the DB Muffler. Make sure the weep hole is facing down then slide the muffler onto the headpipe and pre-tightened the clamp. **(See Fig's M, N & O)**



FIG. K



FIG. L



FIG. M



FIG. N



FIG. O

- 3 Slide the pipe over the muffler outlet and place the hangers into the factory grommets. From the rear of the vehicle slide the tailpipe over the axle while holding the rear differential vent hose out of the way. Slide a supplied 3" clamp over the inlet of the tailpipe. Pre-tighten the clamp. **(See Fig's P, Q & R)**
Note: Using a soapy solution on the grommet hole will make the job easier.
- 4 Slide the tip assembly onto the end of the tailpipe. Snug the clamp at this time. **(See Fig's S, T & U)**
- 5 Adjust all components to attain clearance to surrounding parts. Starting from the front of the exhaust system tighten the spherical clamp nut to **21 ft-lbs** and all nuts on pipe clamps to **35 ft-lbs** using a torque wrench. Torque the tip clamp to **16-20 ft-lbs**.
- 6 **It is strongly suggested that all clamps be checked and tightened after road testing the vehicle once the system has cooled.**



FIG. P



FIG. Q



FIG. R



FIG. S



FIG. T



FIG. U

NOTE: During cold weather start-ups, you may experience an exhaust sound that is deeper and louder in tone than usual. This is temporary and will diminish to normal levels once your engine has reached its normal operating temperature.

NOTE: Immediately following the installation of your exhaust system, you may experience a trace of smoke after initial start-up. DO NOT be alarmed. The smoke is caused by the burning of a small amount of forming oil residue used in the manufacturing process.